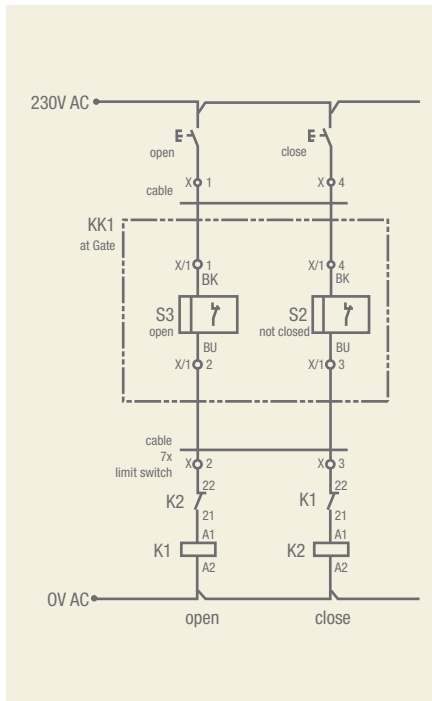




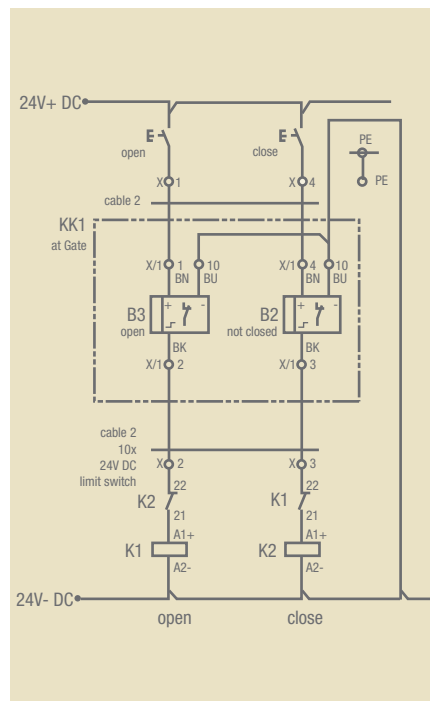
WÖHWA Waagenbau GmbH
Öhringer Str. 6 · 74629 Pfedelbach · GERMANY
Fon +49 7941 9131-0 · Fax +49 7941 9131-28
info@woehwa.com · www.woehwa.com



Propost connection limit switch 2-wire



Propost connection limit switch 3-wire



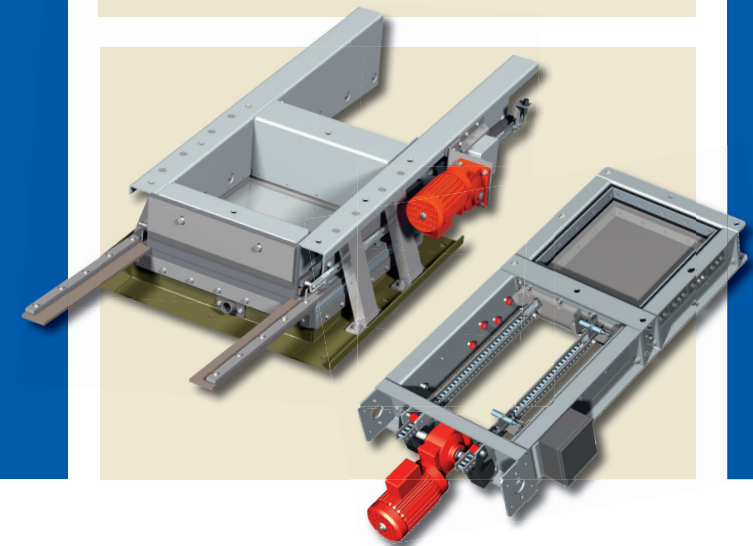
Subject to technical modifications E. & O. E.
October 2010

Installation instructions for

Installation and maintenance
work is to be carried out by
qualified personnel only.

WÖHWA cannot be held respon-
sible for any damages caused
by improper installation or
maintenance work.

- discharging gate type 01.1.-0,9kW
- sealed hopper gate type 03.-0,9kW
- sealed hopper gate type 08.1.-0,9kW





Installation and maintenance work is to be carried out by qualified personnel only.

WÖHWA cannot be held responsible for any damages caused by improper installation or maintenance work.

Installation instructions for :

- discharging gate type 01.1.-0,9kW
- sealed hopper gate type 03.-0,9kW
- sealed hopper gate type 08.1.-0,9kW

Before starting work, disconnect the main load switch and observe all safety and accident prevention rules!

Check the power rating of the type plate of the motor to select the correct fuse / Circuit breaker.

Additional information listed:

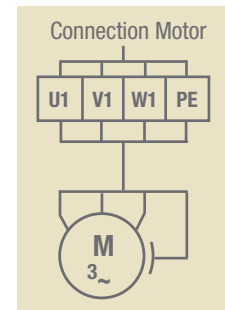
www.woehwa.com

→ products → discharging gates

Limit switches must be interlocked with the motor control to ensure correct operation of the discharge gate. Failure to comply will result in gate over travel and damage. The limit switches must be tested after connection. The position of the limit switch lug may have to be adjusted to meet on-site conditions.

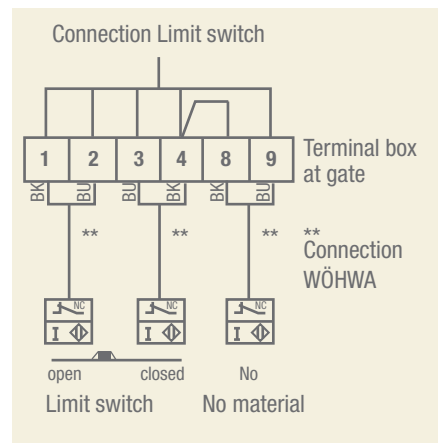
Electrical Connection is shown in terminal box cover.

Motor

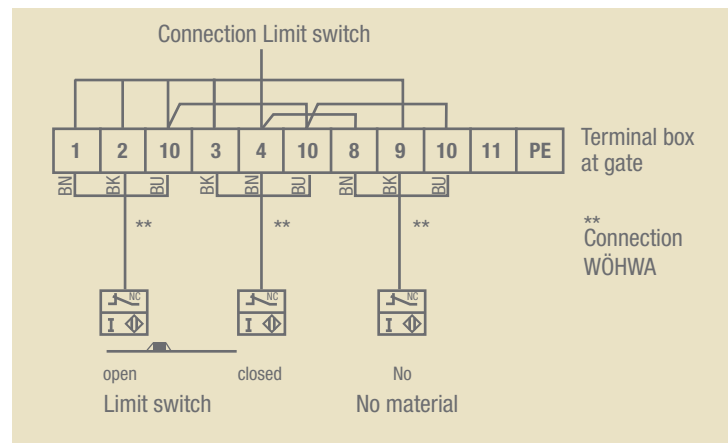


Technical data

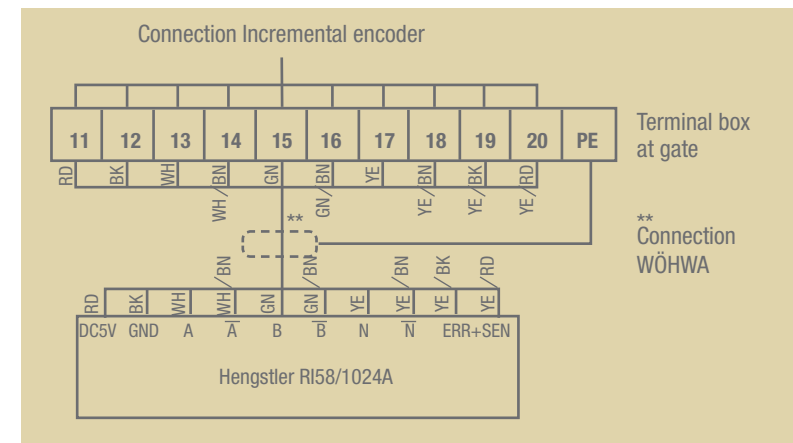
Installation type M18x1, P67 II	2-wire		3-wire	
	Switching function	AC, NC	Switching function	DC, NC
Supply Voltage	UB	24...250VAC	UB	10...32VDC
Rated operating distance	SN	8mm	SN	16mm
Safe operating distance	SA	0...6,5mm	SA	0...12,8mm
Operating current	IB	≤ 200mA	IB	≤ 200mA
Residual current	Ir	≤ 2,0mA	Ir	≤ 0,1mA
Momentary current	IK	1	Io	< 8mA



Limit switch 2-wire



Limit switch 3-wire



Incremental encoder RI58-0/1000AS.41.RB